



LAYING INSTRUCTIONS

Strong SPC Structure 3,8 mm

IMPORTANT INSTALLATION TIPS

Ideal temperature

SPC: 15–60 °C
Vinyl/susify: 13–32 °C

Surface temperature

no more than 60 °C bei SPC floors and
no more than 32 °C bei Vinyl-/susify floors

Acclimatisation

Vinyl/susify for 48 hours,
SPC and Multilayer+ for 24 hours

Air humidity

between 35 % – 60 %

Base layer

level tolerance 3 mm over 1,8 m

Underfloor heating

Must be at a depth of at least 13 mm in the base
layer, NO electric heating mats. The surface
temperature must not reach 28 °C..

Edge clearance

> 8 mm clearance on walls and around heavy,
fixed objects, wall cupboards, kitchens etc.

Adhesive

NOT RECOMMENDED – warranty will become
invalid!

Underlay materials

On mineral substrates and with design floor
coverings with integrated underlay mat,
a moisture protection foil SD \geq 75m must
always be applied over the entire surface
and in the form of a trough.

Underlay mat

It is generally recommended to use an underlay
mat. For the installation of our floors we re-
commend the underlay mat **planeo silence**.

**No additional underlay mat may be laid
on floors with an integrated underlay
mat.**

10 tips for laying perfect floors

1. Any flooring that has been purchased should be checked for defects before installation.

This stops defective products being used.

The guarantee may be invalidated if the floor covering is fitted anyway.

2. Only install on solid, non-floating base layers.

3. Do not fix objects (e.g. kitchen islands) onto the flooring – they should be secured directly onto the base layer.

4. Lay the floor around fixed objects (e.g kitchen) and leave a gap at least 8–10 mm for expansion.

5. Do not install the product immediately, but store it for at least 24 hours for SPC and 48 hours for vinyl/susify flooring in the room where the installation is planned. This helps the floor covering to adapt to the temperature.

6. Always follow the manufacturer's installation instructions.

7. Buy the recommended footstep soundproofing for the floor. Carpet is NOT a permitted insulation.

8. Use spacers as you work so that the floor lies straight and does not slip during installation.

9. Keep the recommended offset of 30 cm to the joints in adjacent rows. This provides maximum stability for the connection.

10. Joints can be sealed using PE cord and silicone to prevent cracks from forming. To avoid complaints, it is recommended that if a joint has to be filled, it is important to ensure that









a) silicone is used

b) the dimension of the joints is widened by 50% and

c) a joint cord is used to prevent the silicone from sticking to the base

Strong SPC Structure 3,8 mm

RECOMMENDED TOOLS

-  **Universal knife and straight edge**
-  **Tape measure**
-  **8-10 mm spacers**
-  **Pencil**
-  **Tapping block**
-  **Rubber mallet**
-  **Carpenter's angle**
-  **Drawbar**

PROPERTIES

The flooring incorporates innovative I4F edge-locking technology. Simply hook in, press firmly and lock with a light tap.

The flooring's unique connection points click into place, just like a door lock. Insert a panel at an angle into the long edge of another panel. Then position it so that the front edges are close together, push them together and fold down the short side. Then lock in place with a light tap.

The flooring is easy and quick to install. The panels are not fixed to the floor underneath, but are laid as a floating installation. To shorten a panel, simply score it and break it off.

The flooring is available in panels with surface embossing for a beautiful and stylish room design with a natural wood effect.

The flexibility of the flooring allows the panels to be installed over existing floor coverings, such as natural wood, concrete, vinyl, linoleum and even ceramics. (See Preparing the floor underneath from page 4)

The floor is also suitable for use in conservatories, it is waterproof and can therefore be installed in damp areas such as basements or bathrooms that were previously unsuitable for traditional wood flooring and laminate products. (See Preparing the floor underneath from page 4) In addition, the Strong SPC Structure can be installed in rooms where there may be large variations in temperature. (See TECHNICAL DETAILS, temperature range).

LAYING INSTRUCTIONS

CAUTION: Do not lay the flooring on soft underlays such as carpets or foam mats.

Prepare the floor for laying. Check the products for material or transport damage in daylight before use. If defects (e.g. differences in colour or gloss) are visible during installation, further work must be stopped immediately so that the goods can be inspected or, if necessary, replaced.

Later complaints of visible and surface defects, which can be detected before or during the installation, will no longer be accepted! The manufacturer's corresponding warranty obligation shall become null and void.

You should store the flooring horizontally in the room where it will be laid for 24 hours before installation. Maintain a room temperature between 15 °C and 60 °C for SPC floors. Do not remove the panels from the packets during this acclimatisation period. Maintain this temperature during installation (at least 2 days).

PREPARING THE FLOOR UNDERNEATH

Before installing the floor, please observe the general requirements for the base layers.

The floor underneath must be smooth, level, dry, clean and firm. Carpet staples or adhesive residues must be removed to ensure correct installation.

The floor underneath should be level, with a deviation tolerance of 3 mm over a distance of 1.8 m. Any unevenness above this must be sanded down or filled using a floor levelling agent. The flooring cannot be locked correctly if there are cavities or bulges in the floor underneath. Damage to the floor covering may occur with use if the floor covering does not lie fully on the surface.

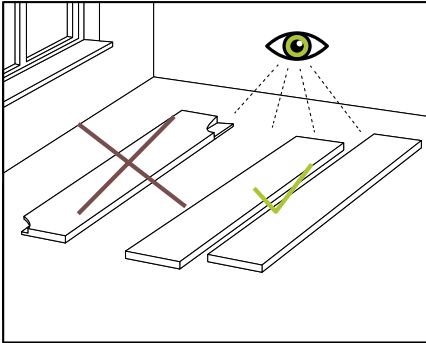
The base layer must be carefully checked for moisture. The floor is waterproof, but is NOT a vapour barrier. Any problems with humidity must be rectified before installation. Allow new concrete floors to set and dry out for at least 90 days.

If you are laying on concrete, wood or wood-based materials, a 0.2 mm thick PE construction foil must be laid so that the SPC covering is able to move freely.

NEVER lay a floating floor on a floating base layer! This is not considered to be fixed and must be screwed or glued down or removed!

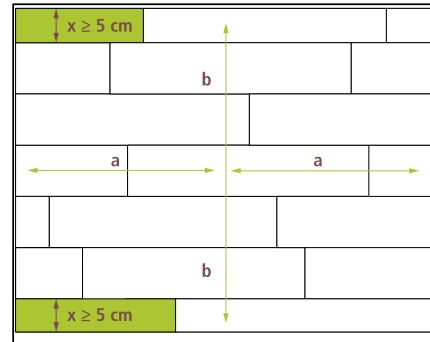
The **planeo silence** underlayment or an equivalent must be used as a base.

LAYING THE FLOORING



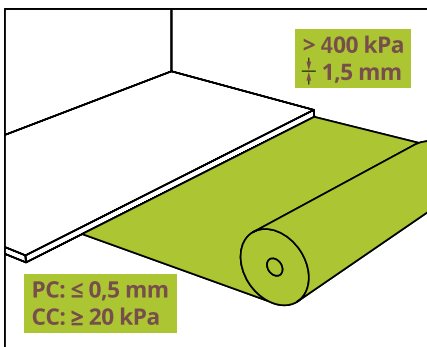
1. Flooring should be only be laid if its free of faults

After unpacking, check the panels immediately for damage and defects (e.g. differences in colour or gloss level). Defective panels should not be installed.



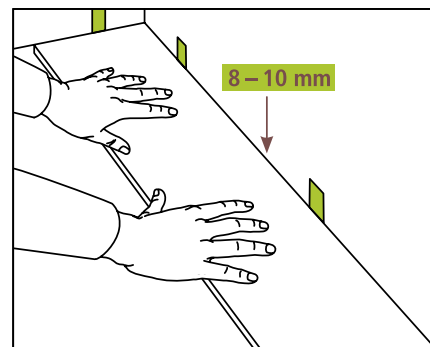
2. Long end pieces

Measure the room before installing the flooring. The end pieces must be at least 5 cm wide on the long side.



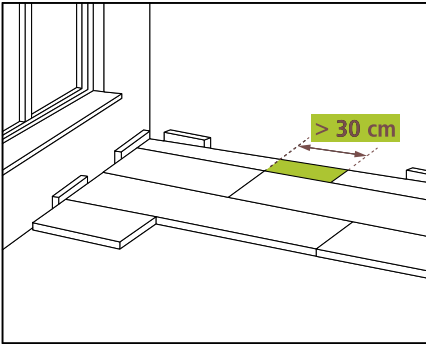
3. Underlay mat

We recommend the use of an underlay mat for floors that do not have footstep sound insulation



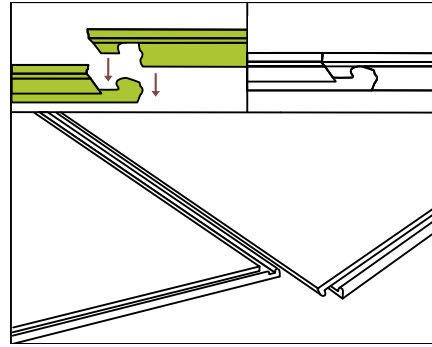
4. Keep spacing in mind

Start the installation on the left-hand side in the corner and with the groove facing the wall. Keep a distance of a 8-10 mm from the edge to compensate for movements of the base.



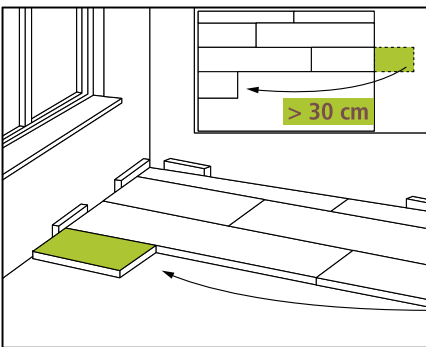
5. At least 30 cm of offset

The short edges (head joints) must always be offset by at least 30 cm from row to row



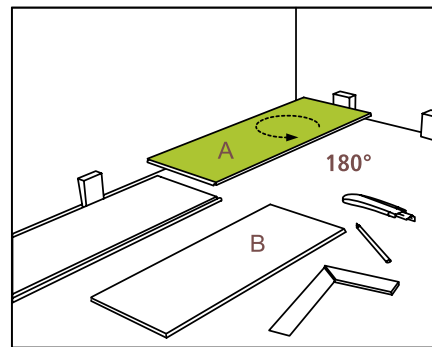
6. Lay the first row

The first row (short side) is the Droplock connection, it is hung vertically. When joining the short edges of the first row, slide the face of the second panel over that of the first panel. Make sure that the two grooves are positioned precisely on top of each other. Press the inside in and tap the panel at the seam with a rubber mallet until it clicks into place. Tap from the inner corner where the two panels meet, outwards to the opposite side.



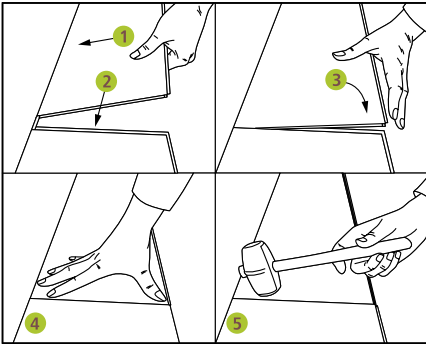
7. Sawn-off end pieces

If the end piece sawn off in the last row is 30 cm or longer, you can use this as the first panel in the next row



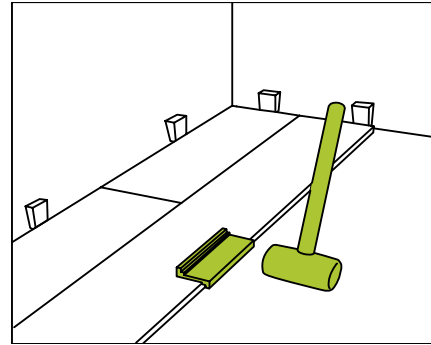
8. Prepare the second row

For the second row, cut the panel to size for the desired installation pattern as desired – but this must not be shorter than 30 cm. Measure the desired length and mark with a pencil. Then score the surface of the panel several times using a universal knife and crease the panel. Now cut through the coating on the underside.



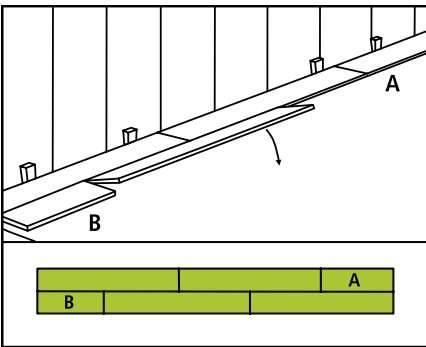
9. Follow the sequence

- 1: Long side: Click tongue into groove.
- 2: Push the short sides together.
- 3 and 4: Press panel down.
- 5: Tap down using a rubber mallet.



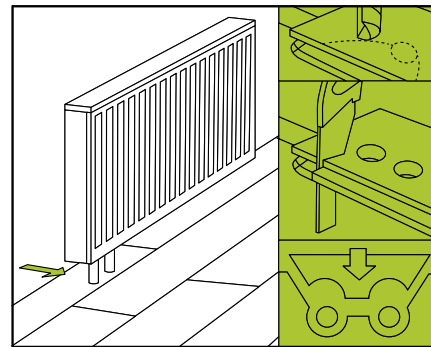
10. Lay the third row

Start the third row with a panel that you have cut to two-thirds of the length. The remaining end can again be used at the end of a row – if the floor space permits this.



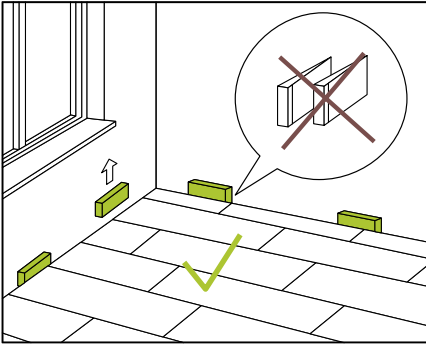
11. Lay the remaining rows

Continue this pattern for the remaining rows. Always lay the cut side of the shortened planks on the wall side.



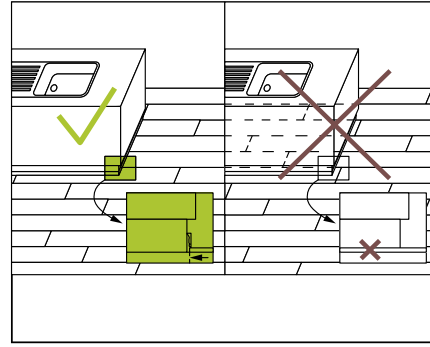
12. Adjust panels as needed

Fitting around uneven objects is no problem. Use a piece of cardboard to make a pattern of the cut-out around pipes or irregular objects. Draw this pattern on the panel. Using a universal knife, cut along these markings to obtain the required cut-out.



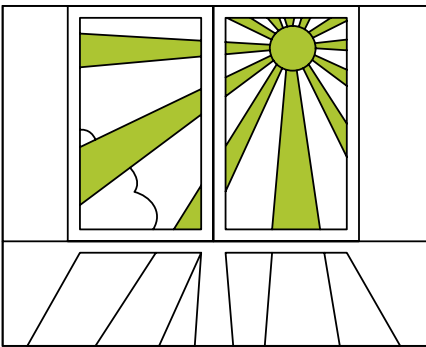
13. Remove spacers

You only need the spacers at the edge during installation. Remove these once your floor has completely laid.



14. Do not lay flooring under objects

Start by placing your furniture in the room and then lay your flooring around the objects – and not underneath



15. Direct sunlight

The flooring must be protected from direct sunlight. The warranty will become invalid if the temperature is not within the recommended range.